

Macronix
Process Change Notification(PCN)

KH25L1605D
(3V, 16M, Serial Flash)

Date Issued : June, 2008

Issued by : Sales/KH Brand

Dear Macronix Customer,

Macronix is introducing the 3rd generation of 16Mb serial flash product. Macronix has shrunk the die size from 0.15um to 0.13 um in order to continue to offer our customers the most advanced and cost effective products.

In order to achieve better performance, reliability, and cost structure. Macronix is introducing the “D” revision of 16Mb serial flash products on our advanced 0.13um Technology.

Product is available in samples and mass production now.

The KH25L1605D device is identical in form, fit and function to the previous generation KH25L1605A product. Additional functions added in this version are – dual I/O read, secured 512-bit OTP and multiple write protection

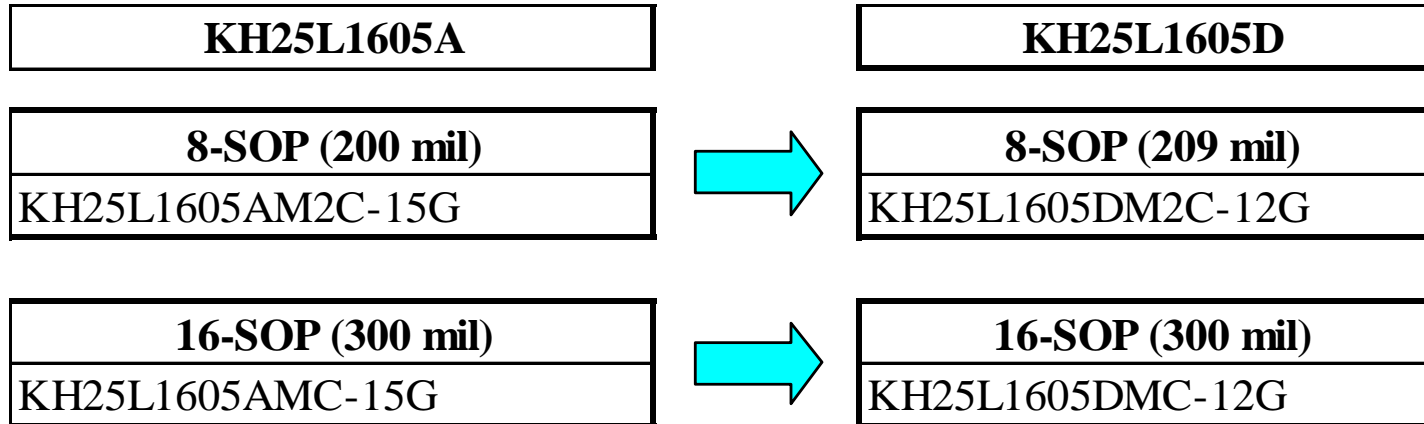
Macronix requests that you kindly qualify the new version as quickly as possible in order for us to continue supporting you without interruption.

Thank you

□ Feature Comparison table

Part No.	KH25L1605A	KH25L1605D
Process	0.15um FG	0.13um FG
VCC range	2.7V ~ 3.6V	2.7V ~ 3.6V
Read Speed	25MHz (READ) 66MHz(FAST_READ)	33MHz (READ) 86MHz (FAST_READ) 50MHz(x2 I/O, FAST_READ)
Icc Standby	20uA(max.)	20uA(max.)
Active Read Current	8mA(max, @66MHz)	25mA(max, @86MHz)
Active Write Current (Erase/Program)	15mA (max.)	20mA (max.)
Output Disable Time	6ns	8ns
Hold to Output Low-Z	6ns	8ns
Hold to Output High-Z	6ns	8ns
CS# High to Deep Power-down Mode	3us	10us
CS# High to Stand Mode without Electronic Signature Read	3us	8.8us
CS# High to Stand Mode with Electronic Signature Read	3us	8.8us
Chip Erase Time	14sec (typ.) / 30sec (max.)	14sec (typ.) / 30sec (max.)
Block Erase Time(64KB)	1sec (typ.) / 2sec (max.)	0.7sec (typ.) / 2sec (max.)
Sector Erase Time(4KB)	60ms (typ.) / 120ms (max.)	90ms (typ.) / 150ms (max.)
Package Type	8-SOP (200mil) 16-SOP (300 mil)	8-SOP (200mil) 16-SOP (300 mil)
Part No.	KH25L1605A	KH25L1605D
Dual I/O read@50MHz	Not Available	Available
Secured 512-bit OTP	Not Available	Available
Multiple write protection	N/A. only standard write protection	Available

Part Numbering Change



Conversion Schedule

➤ “D” version sample available	Now
➤ “D” version mass production:	1 ^s of Jan. 2008
➤ Old version last order placement date:	31 st of Dec. 2008
➤ Old version final shipment date:	31 st of Mar. 2009

Macronix Recommendations:

- **Macronix requests that qualify new D version sample now. This will allow Macronix to continue supporting you without interruption.**
- **Datasheets are available on KH brand website (www.macronix.com.hk)**